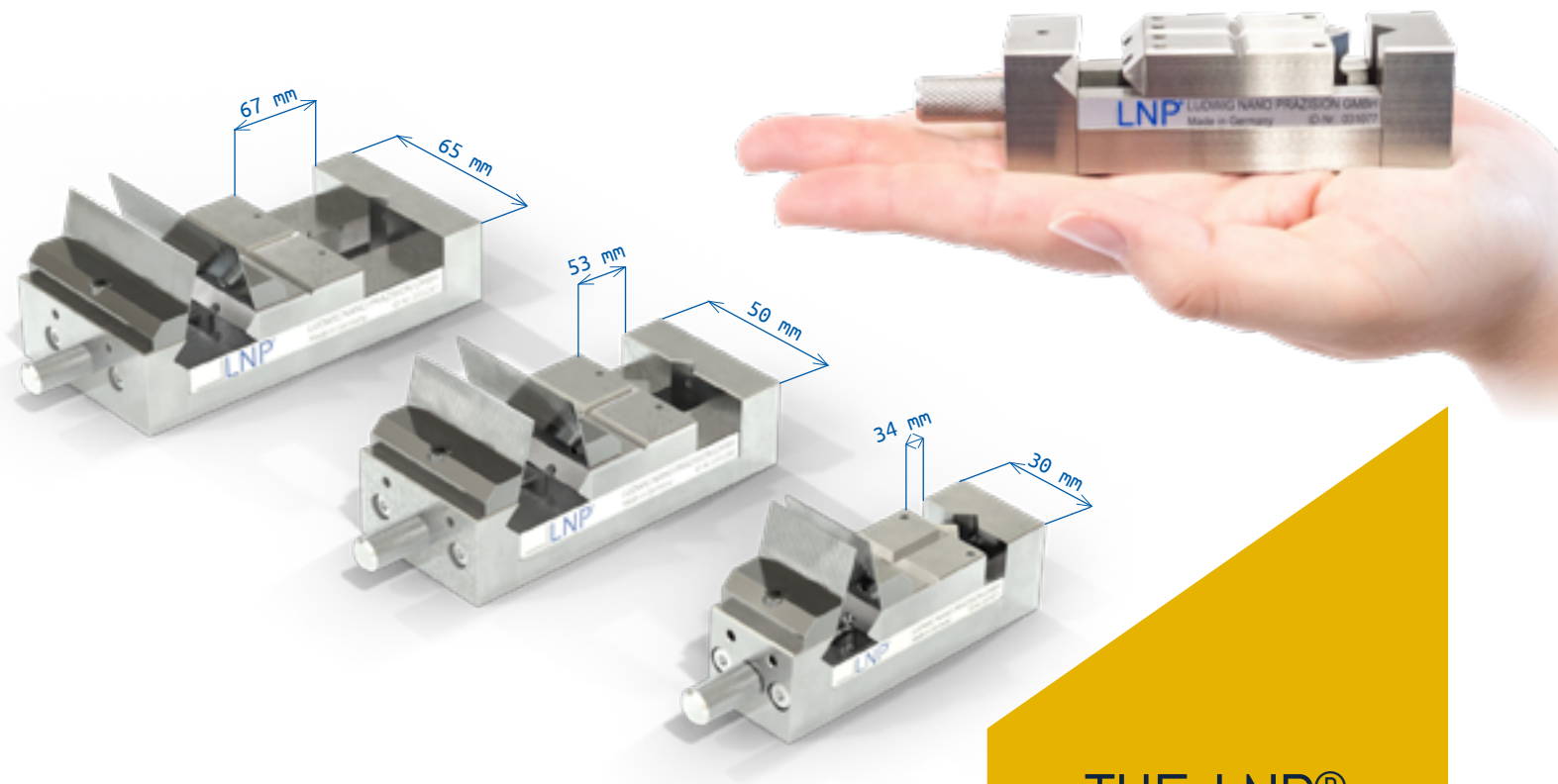


# DOESN'T PUT THE CLAMPS ON YOU!



## THE LNP<sup>®</sup> PARALLELVICE

### Use our parallelvice for sensitive clamping!

The device consists of hardened, corrosion-resistant steel and includes extensive accessories. All surfaces are sanded with high precision. Workpieces can be clamped precisely and repeatedly (high-precision clamping surface with horizontal and vertical prisms with clamping slide either horizontally or vertically). Even the smallest diameters from 0.1 mm up to 25 mm can be gently brought into measuring or machining position.

Are you looking for a versatile clamping device and want to clamp workpieces from 0.1 to 34.53 or 67 mm? Suitable for all rotationally symmetrical and prismatic precision parts with sensitive surfaces?

# APPLICATION- POSSIBILITIES

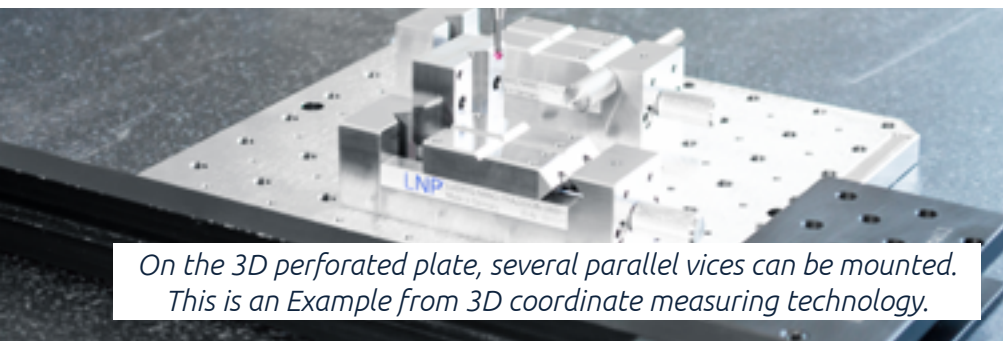
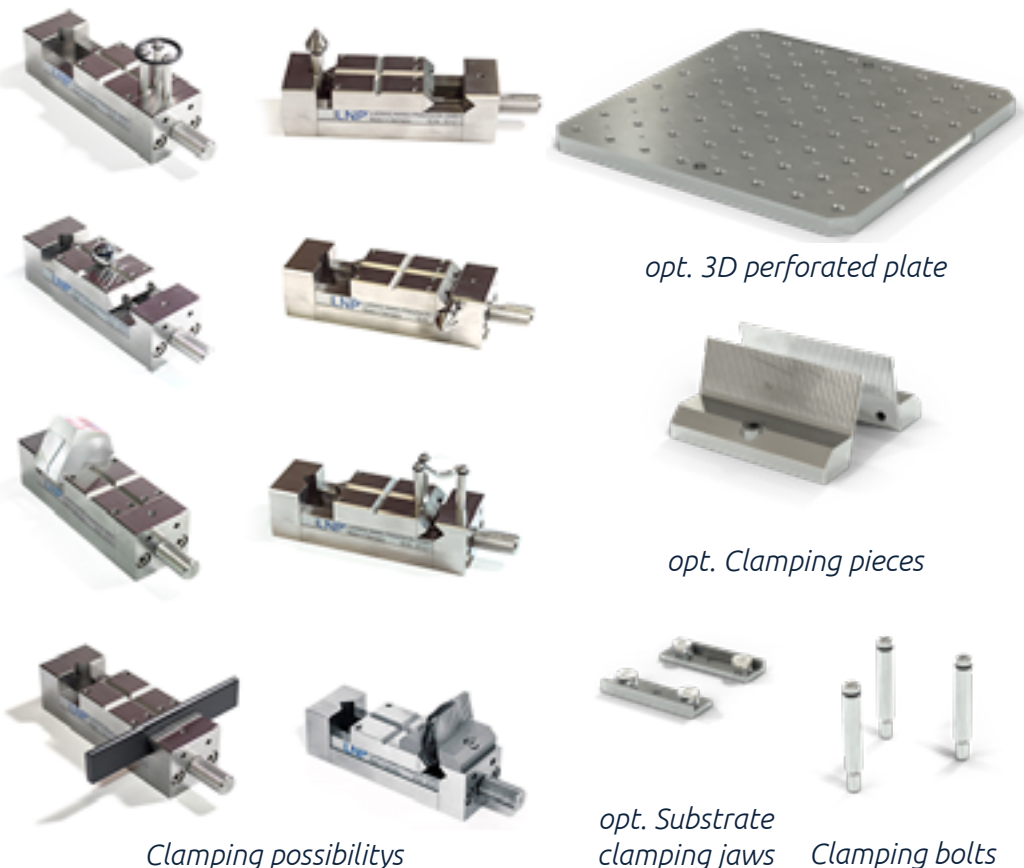
- Roughness metrology
- 3D coordinate measuring technology
- Contour metrology
- Hardness topography
- Precision machining

## INCLUDED IN DELIVERY:

1× LNP<sup>®</sup> Parallelvice  
1× DIN 4762 M4x10  
3× Clamping bolt

incl. transport case

More accessories available  
separately on request.



## LNP<sup>®</sup> PARALLELVICE

### TECHNICAL DATA

ON:	031077	035280	035281
Dimensions H×B×T	95mm × 30mm × 27,5mm	114mm × 50mm × 27,5mm	128mm × 65mm × 27,5mm
Weight	0,658 kg	0,950 kg	1,200 kg
Clamping range	0,1mm - 34mm	0,1mm - 53mm	0,1mm - 67mm

**Give us a call, we will  
be happy to  
advise you by phone!**